



PLATINUM[®]

with **PUREPLUS[™]** TECHNOLOGY



FIRST OF ITS KIND
SYNTHETIC MOTOR OIL
MADE FROM
NATURAL GAS

MOTOR OIL DESIGNED FOR
COMPLETE PROTECTION



MOTOR OIL IS A MIXTURE

Base Oil



- Makes up most of engine oil
- Determines fundamental properties of engine oil



Additives



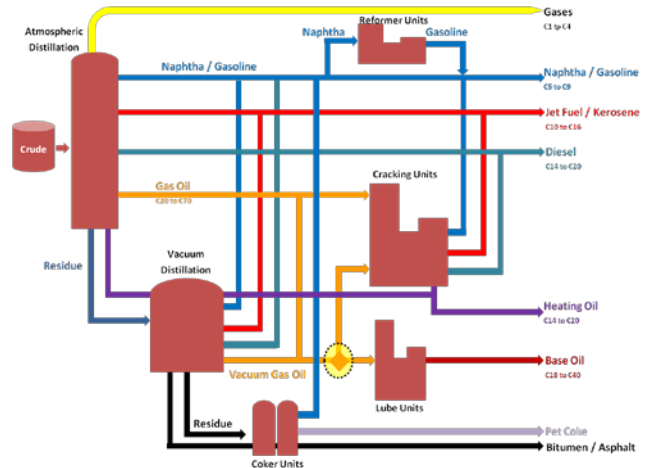
- Improve base oil properties
- Protect the base oil
- Protect engine parts



PLATINUM
with PUREPLUS™ TECHNOLOGY

A REVOLUTION IN MOTOR OIL

- Base oil 75-90% of motor oil
- High-quality base stocks key in top oils
- Group II/III base oils derived from crude
- Pennzoil - focus on motor oil technology
- With imagination and technology, we started with something different:
natural gas



PLATINUM
with PUREPLUS™ TECHNOLOGY

SERIOUS INNOVATION

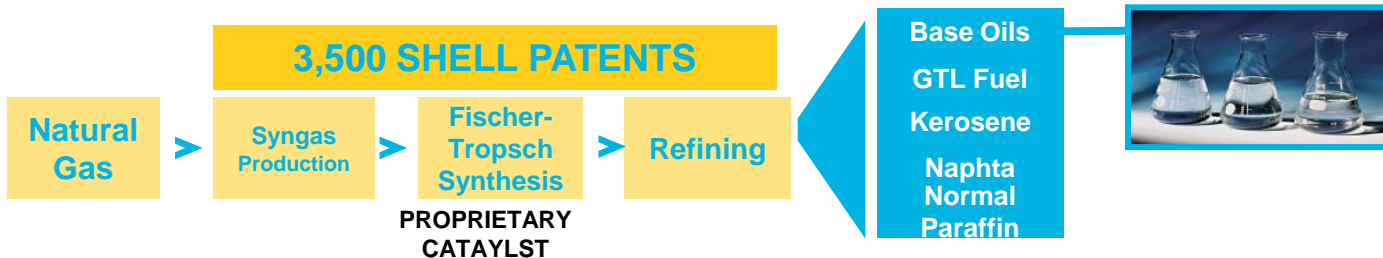
- 40 years in the making
- World's largest gas-to-liquids Plant
 - Pipeline Steel – weight of 18 Eiffel Towers
 - GTL synthesis reactor tubes - Doha to Tokyo
 - ~13,000 km of cables - Doha to Houston
 - Employed 52,000 people
 - External estimates ~\$18-24B to build
 - 140,000 barrels/day petroleum liquids
- 3500+ patents
- Major step for cleaner energy



PLATINUM
with PUREPLUS™ TECHNOLOGY

WHAT IS PUREPLUS™ TECHNOLOGY?

- Shell revolutionary gas-to-liquid (GTL) process that converts pure natural gas into the first-of-its-kind synthetic base oil used in the Pennzoil Platinum line of products
- Complex process using modified Fischer–Tropsch reaction to convert natural gas into liquid hydrocarbons
- Resulting PurePlus base oils are crystal clear and 99.5% pure
- These base oils have ~none of impurities found in crude oils



PLATINUM
with PUREPLUS™ TECHNOLOGY

TRADITIONAL CRUDE OIL

VS.

PUREPLUS GAS TO LIQUID



MUDDY WATER



RUNS THROUGH
SMALL FILTER



STILL IMPURE

IMAGINE TAKING A CUP OF WATER FROM A MUDDY RIVER AND RUNNING IT THROUGH A SMALL FILTER -- EVEN AFTER YOU RUN THE WATER THROUGH THE FILTER, THERE WILL STILL BE SOME IMPURITIES LEFT IN THE WATER.



LIQUID

STEAM

GAS



IMAGINE IF YOU COLLECTED A CUP OF WATER BY CONDENSING STEAM, OR WATER VAPOR, THE WATER TAKEN FROM THE GASEOUS STEAM WILL BE MUCH PURER THAN THE WATER TAKEN FROM THE MUDDY RIVER.



PLATINUM
with PUREPLUS™ TECHNOLOGY

PurePlus™ Technology is a revolutionary process that converts pure natural gas into the first-of-its-kind synthetic base oil used in Pennzoil Platinum® products, motor oils designed for **COMPLETE PROTECTION**



PLATINUM®
with **PUREPLUS**™ TECHNOLOGY

COMPLETE PROTECTION



CLEANER PISTONS
BETTER FUEL ECONOMY

PROTECTS HORSEPOWER

WEAR PROTECTION

EXTREME TEMPERATURE PERFORMANCE



PLATINUM
with **PUREPLUS**™ TECHNOLOGY



**LET'S START THE SYNTHETIC
REVOLUTION!**



PLATINUM
with PUREPLUS™ TECHNOLOGY

ENGINES HAVE CHANGES,
WHY NOT THE TECHNOLOGY IN YOUR MOTOR OIL



Direct Injection, Turbo Charged,
Hybrid Engines, Ethanol Fuels